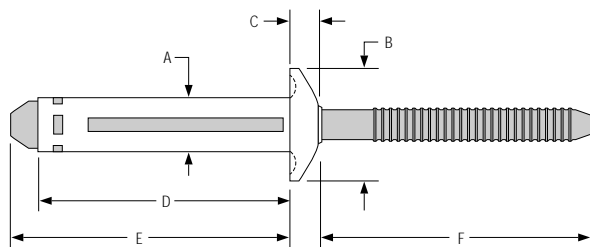
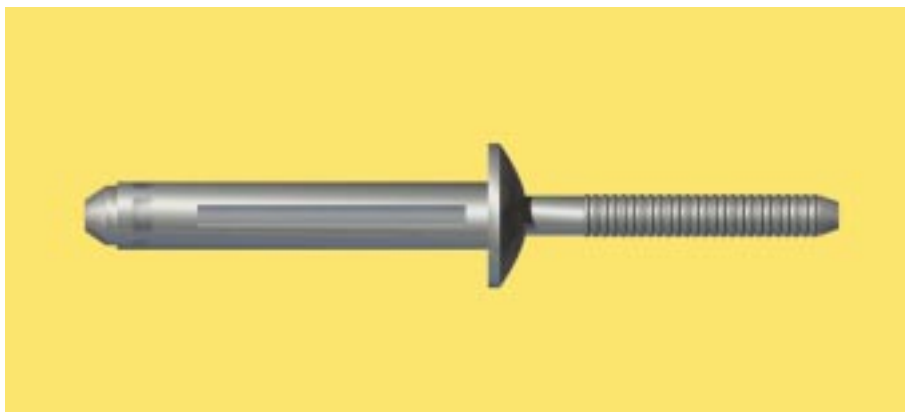


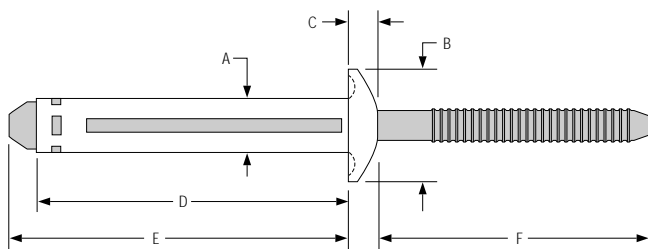
Magna-Tite™ LockRivet™

An applied watertight sealant makes this rivet especially suitable for oversize holes and repair applications. A large blind-side footprint also makes the fastener ideal for installation in thin or low-strength materials such as aluminum, fiberglass and plastic.



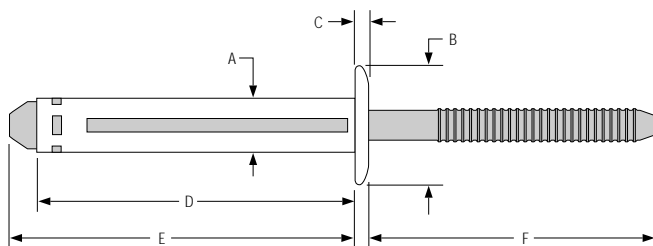
Specifications—Protruding Head Hole Size nom=.205-.221 A=.199 B=.453 C=.117 F min=.940

Dia. (No.)	Part No.	Grip Range	D max	E max
3/16 (6)	MTP-B6-5S	.050 - .312	.890	1.020
	MTP-B6-6S	.100 - .375	.940	1.070
	MTP-B6-8S	.250 - .500	1.090	1.220
	MTP-B6-10S	.375 - .625	1.215	1.345
	MTP-B6-12S	.500 - .750	1.340	1.470



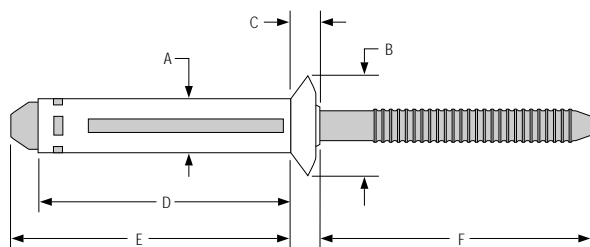
Specifications—Shavable Head Hole Size nom=.205-.221 A=.199 B=.453 C=.117 F min=.940

Dia. (No.)	Part No.	Grip Range	D max	E max
3/16 (6)	MTS-B6-8S	.050 - .500	1.010	1.140
	MTS-B6-12S	.050 - .750	1.260	1.390



Specifications—Low Profile (non-structural) Hole Size nom=.205-.221 A=.199 B=.453 C=.052

Dia. (No.)	Part No.	Grip Range	D max	E max	F min
3/16 (6)	MTLP-B6-4	.050 - .250	.840	1.040	1.189
	MTLP-B6-8	.187 - .500	1.090	1.140	.939
	MTLP-B6-12	.375 - .750	1.260	1.390	1.143
	MTLP-B6-12X	.050 - .750	1.260	1.390	1.143


Specifications—100° Countersunk Oval Head Hole Size nom=.205-.221 A=.199 B=.355 C=.117 F min=.940

Dia.	Part No.	Grip Range	D max	E max
3/16	MTV-B6-5S	.070 - .312	.910	1.040
	MTV-B6-7S	.160 - .410	1.010	1.140
	MTV-B6-8S	.250 - .500	1.090	1.220
	MTV-B6-10S	.375 - .625	1.215	1.345
	MTV-B6-12S	.500 - .750	1.340	1.470

Installed Values in Nominal Grip (lbs.)

		Head Styles:			
		Protruding	Shavable	Low Profile	Oval
3/16	Shear	630	630	630*	630
	Tensile	450	450	450	450
	Pin Retention	90	90	90	90

In Minimum Grip. 350 lb. Shear Strength Over Minimum Grip.

Material

Sleeve	Aluminum
Pin	Aluminum

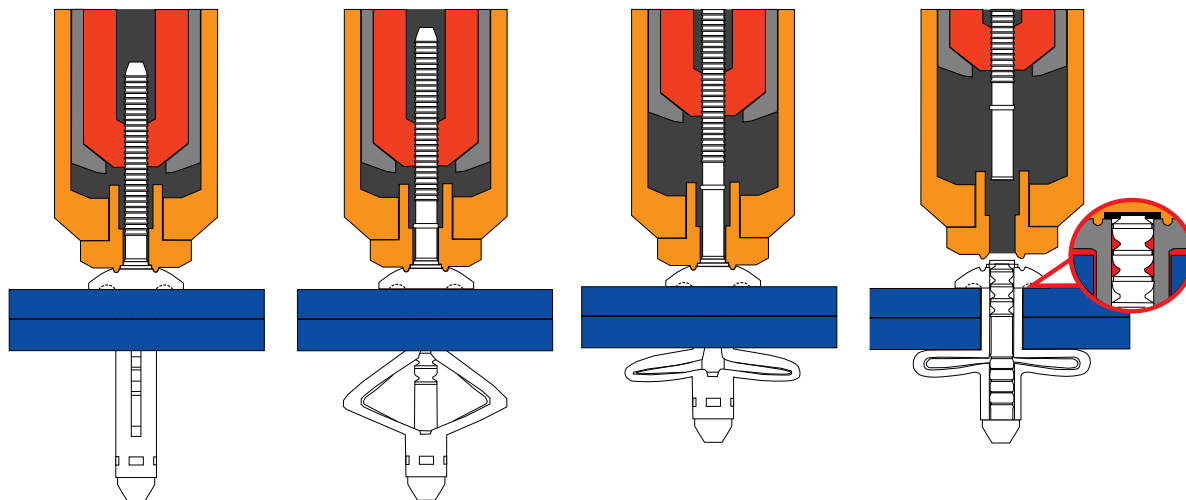
Installation Tooling

Dia.	Installation Tool	Nose Assembly	Type	Use	
3/16	2015	125280 (Insert)	Pneudraulic	Prod. or Maint. & Repair	
	202	99-3310F/P	Pneudraulic	Production	
	2480	99-3310F/P	Hydraulic	Production	
1/4	2015	125280 (Insert)	Pneudraulic	Prod. or Maint. & Repair	
	202	99-3311F/P	99-3312F/P	Pneudraulic	Production
	2480	99-3311F/P	99-3312F/P	Hydraulic	Production

F--For use with Low Profile and Shavable Head styles. Replacement insert #123021

P--For use with Protruding and Oval Head styles. Replacement insert #124185

Installation Sequence



[Click Here to view animation of installation sequence](#)

**(Solid rivet-look parts may be shaved after pintail is clipped)*

Part Number Identification

MT P - B 6 - 8 (S)

