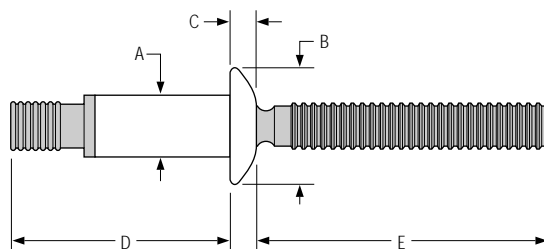
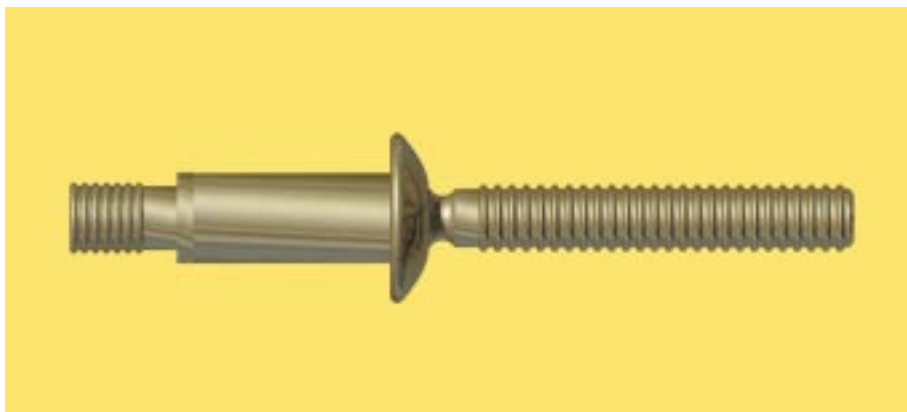


## Magna-Bulb<sup>®</sup> LockRite<sup>™</sup>

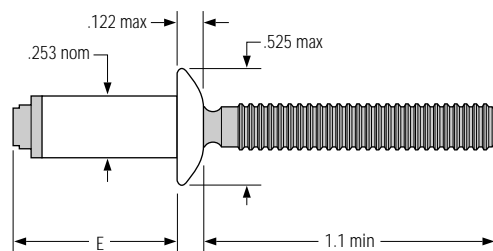
High strength with a broader bearing surface. The Magna-Bulb<sup>®</sup> fastener creates a broader bearing surface that helps spread the load over more area for a stronger, longer lasting connection.



### Specifications

Dia. (No.)	Part No.	Grip Range	D max
<b>3/16</b> (6)	MBP-R6-M2	.075 - .110	.592
	MBP-R6-M3	.087 - .150	.672
	MBP-R6-M4	.126 - .189	.695
	MBP-R6-M5	.165 - .228	.734
	MBP-R6-M6	.205 - .268	.774
	MBP-R6-M7	.244 - .307	.813
	MBP-R6-M8	.283 - .347	.853
	MBP-R6-M9	.323 - .386	.892
	MBP-R6-M10	.362 - .425	.931
	<b>1/4</b> (8)	MBP-R8-M2	.060 - .138
MBP-R8-M3		.110 - .189	.861
MBP-R8-M4		.150 - .229	.940
MBP-R8-M5		.189 - .268	.912
MBP-R8-M6		.229 - .308	.942
MBP-R8-M7		.268 - .346	.981
MBP-R8-M8		.308 - .387	1.021
MBP-R8-M9		.346 - .425	1.060
MBP-R8-M10		.387 - .466	1.100
MBP-R8-M11		.425 - .504	1.139
MBP-R8-M12		.466 - .545	1.179
MBP-R8-M13		.504 - .583	1.218
<b>5/16</b> (10)		MBP-R10-3	.150 - .250
	MBP-R10-4	.200 - .300	1.165
	MBP-R10-5	.250 - .350	1.215
	MBP-R10-6	.300 - .400	1.265
	MBP-R10-7	.350 - .450	1.315
	MBP-R10-8	.400 - .500	1.365
	MBP-R10-9	.450 - .550	1.415
	MBP-R10-10	.500 - .600	1.465

### Specifications—Clearance



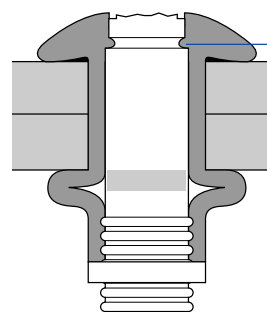
Dia.	Part No.	Grip Range	E max
1/4	MBCP-R8-M2	.060-.138	.580
	MBCP-R8-M3	.110-.189	.627
	MBCP-R8-M5	.189-.268	.706
	MBCP-R8-M7	.268-.346	.785
	MBCP-R8-M8	.308-.387	.825
	MBCP-R8-M9	.346-.425	.864
	MBCP-R8-M11	.425-.504	.943
	MBCP-R8-M13	.504-.583	1.022

### Typical Installed Values in Nominal Grip (lbs.)

Dia.	Shear	Tensile	Pin Retention
3/16	1700	1050	150
1/4	3500	1900	300
1/4 (clearance)	3000	1600	300
5/16	5000	2960	450

### Material and Finish

	Material	Finish
Sleeve	Steel	Zinc Plated Gold Chromate
Pin	Steel	Zinc Plated Gold Chromate



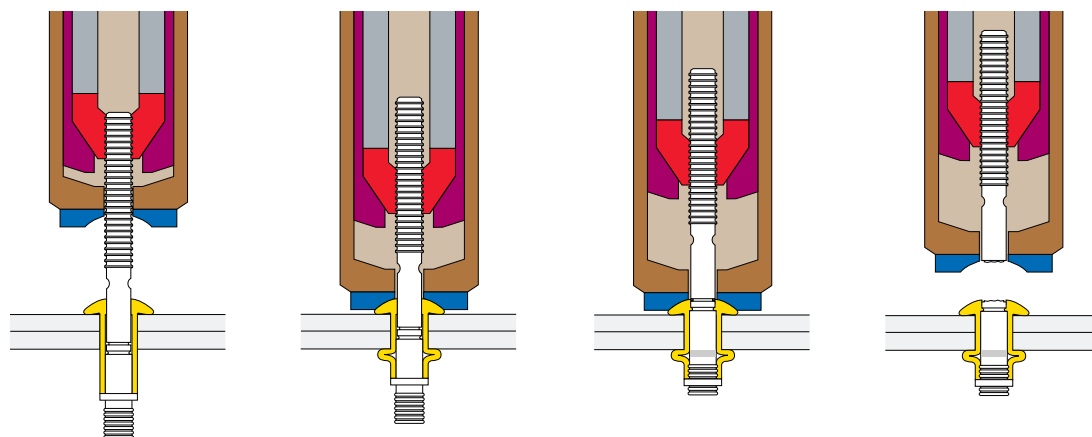
Unique solid-circle lock ensures maximum strength and resistance to vibration. It is designed to eliminate pin pushout.

### Installation Tooling

Dia.	Installation Tool	Nose Assembly	Type	Use
3/16	229	99-3300	Pneudraulic	Production
	230	99-3300	Pneudraulic	Maintenance & Repair
	2025	99-3300	Pneudraulic	Maintenance & Repair
	2015	125154 (Insert, included with tool)	Pneudraulic	Prod. or Maint. & Repair
	202	99-3303	Pneudraulic	Production
	212	99-3300 99-3303	Pneudraulic	Production
	2480	99-3300 99-3303	Hydraulic	Production
1/4	229	99-3301	Pneudraulic	Production
	230	99-3301	Pneudraulic	Maintenance & Repair
	2025	99-3301	Pneudraulic	Maintenance & Repair
	202	99-3301	Pneudraulic	Prod. or Maint. & Repair
	212	99-3301 99-3305	Pneudraulic	Production
	2480	99-3301 99-3305	Hydraulic	Production
5/16	246	99-3307	Pneudraulic	Production
	2580	99-3307	Hydraulic	Production



## Installation Sequence



[Click Here to view animation of installation sequence](#)

## Part Number Identification

**MB(C)P - R 8 - M 5**

